



BVW-A

BVW-A/R

FOR CONVEYING SMOKE GASES OF THE TEMPERATURE CLASS F600

- Casing and impeller made of sheet steel, protected by polyester resin-based powder coating, with bellmouth and motor fastening plate
- 6 sizes
- More than 35 types
- Volume flow rate V max. 50,000 m³/h
- Total pressure increase p1 max. 2,100 Pa

Application



Application

- Smoke exhaust fan for wall mounting in or outside of the fire area
- BVW-A series suitable for outdoor installation
- Dual smoke extract and ventilation function

Description



Variants

- BVW-A: wall mounting, outside of the building
- BVW-AI: wall mounting – insulated, outside of the fire area
- BVW-R: inside the fire area

Accessories

- Fan diagnosis system VD
- Shock pulse bearing monitoring STI
- Acoustic and thermal insulation
- Wall fixing
- Spring anti-vibration mounts
- Flexible connectors (inlet and outlet)
- Wall transition sleeves
- Inlet box
- Pipeline connection
- Matching flange
- Matching frame
- Self-powered shut-off damper (for duct connection)
- Cover grille (inlet and outlet side)
- Equipotential bonding
- Outlet duct with cover grille
- Local isolator loose (for outside of fire area)

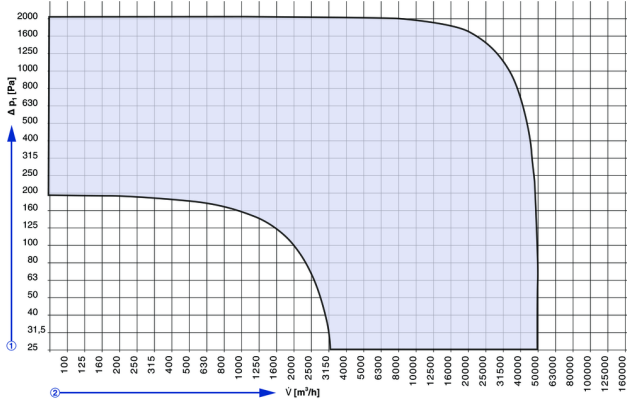
Classification, standards and guidelines

- Temperature / time classification as per EN 12101 – Part 3
- F600 CE no.: 0761-CPR-0008 with declaration of performance (DoP); general building inspectorate licence no. Z-78.-11-127
- F600 CE no.: 0761-CPR-0008 with declaration of performance (DoP); general building inspectorate licence no. Z-78.-11-127

TECHNICAL INFORMATION



BVW Leistungsbereich



t = 20 °C
 ρ = 1,2 kg/m³
 ① Totaldruckerhöhung
 ② Volumenstrom

Abmessungen und Gewichte



BVW-A, dimensions [mm] ① AA1BCDEFNØ GHvWab

①	A	A ₁	B	C	D	E	F	N	Ø G	H	v	W	a	b
315	295	252	632	415	316	300	315	588	400	375	440	225	252	632
355	295	252	712	455	356	300	260	668	400	375	440	250	252	712
400	325	282	802	500	401	330	315	742	400	375	440	300	282	802
500	401	357	1002	600	501	400	410	932	500	450	540	375	357	1002
630	516	452	1252	725	626	500	395 ¹⁾ /600	1182	500 ¹⁾ /800 ²⁾	425 ¹⁾ /680 ²⁾	610 ¹⁾ /760 ²⁾	475	452	1252
710	566	502	1402	800	701	560	395 ¹⁾ /600 ²⁾	1332	500 ¹⁾ /800 ²⁾	425 ¹⁾ /680 ²⁾	610 ¹⁾ /760 ²⁾	525	502	1402

¹⁾ Up to motor size 132

²⁾ As of motor size 160

① Nominal size

BVW-R, dimensions [mm] ① A BCDEFNØ GHvWab

①	A	B	C	D	E	F	N	Ø G	H	v	W	a	b
315	295	632	415	316	300	315	588	400	375	440	225	252	632
355	295	712	455	356	300	260	668	400	375	440	250	252	712
400	325	802	500	401	330	315	742	400	375	440	300	282	802
500	401	1002	600	501	400	410	932	500	450	540	375	357	1002
630	516	1252	725	626	500	395 ¹⁾ /600	1182	500 ¹⁾ /800 ²⁾	425 ¹⁾ /680 ²⁾	610 ¹⁾ /760 ²⁾	475	452	1252
710	566	1402	800	701	560	395 ¹⁾ /600 ²⁾	1332	500 ¹⁾ /800 ²⁾	425 ¹⁾ /680 ²⁾	610 ¹⁾ /760 ²⁾	525	502	1402

¹⁾ Up to motor size 132

²⁾ As of motor size 160

① Nominal size

BVW-R with inlet box, dimensions [mm] ① A A₁BCDEFNØ GHwab

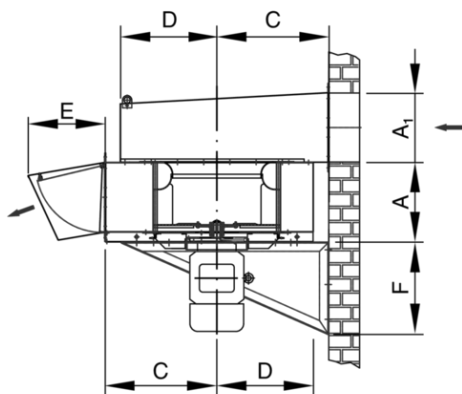
①	A	A ₁	B	C	D	E	F	N	Ø G	H	v	w	a	b
315	295	252	632	415	316	300	315	588	400	375	440	225	252	632
355	295	252	712	455	356	300	260	668	400	375	440	250	252	712
400	325	282	802	500	401	330	315	742	400	375	440	300	282	802
500	401	357	1002	600	501	400	410	932	500	450	540	375	357	1002
630	516	452	1252	725	626	500	395 ¹⁾ /600	1182	500 ¹⁾ /800 ²⁾	425 ¹⁾ /680 ²⁾	610 ¹⁾ /760 ²⁾	475	452	1252
710	566	502	1402	800	701	560	395 ¹⁾ /600 ²⁾	1332	500 ¹⁾ /800 ²⁾	425 ¹⁾ /680 ²⁾	610 ¹⁾ /760 ²⁾	525	502	1402

¹⁾ Up to motor size 132

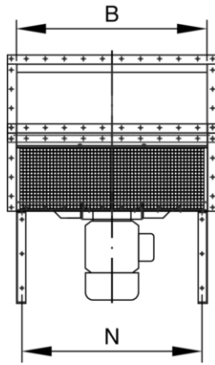
²⁾ As of motor size 160

① Nominal size

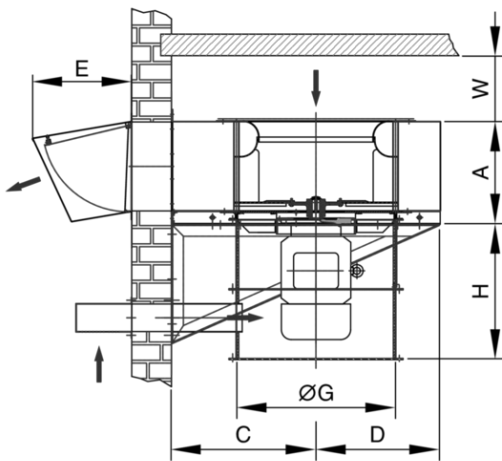
BVW-A



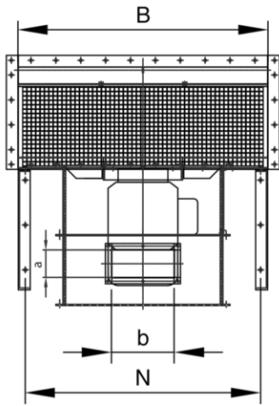
BVW-A



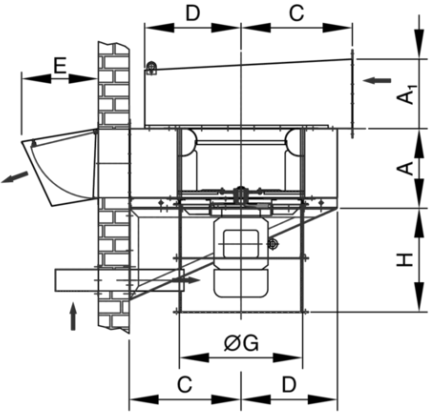
BVW-R



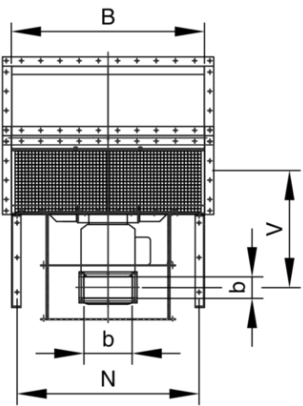
BVW-R



BVW-R with inlet box



BVW-R with inlet box



DETAILED DESIGN



HERE YOU'LL HAVE DIRECT ACCESS TO SELECT THE BVW VIA THE TROX X-FANS PRODUCT CONFIGURATOR

Following features are at your disposal::

- Based on your requirements of volume-flow, pressure and installation arrangement including desired accessories select the ideal fan...
- Appropriate selection according to required power, sound, nominal size, price and production period
- Options and accessories get assessed for plausibility
- All required documents (e.g. technical specification, tender specification, certificates, drawings etc.) of specific selected fan to be downloaded or send by E-Mail