



BVW-D

BVW-D

FOR CONVEYING SMOKE GASES OF THE TEMPERATURE CLASS F600

- Casing and impeller made of sheet steel
- Protected by polyester resin-based powder coating, with bellmouth and motor fastening plate
- 6 sizes
- More than 35 types
- Volume flow rate V max. 50,000 m³/h
- Total pressure increase p₁ max. 2,100 Pa

Application



Application

- Roof-mounted smoke exhaust fan for free outlet
- Free inlet or connected on the inlet side
- Dual function (ventilation and smoke extraction possible)

Description



Variants

- In temperature classes F400 and F600

Accessories

- Fan diagnosis system VD
- Shock pulse bearing monitoring STI
- Steel roof base for smooth roofs
- Sound attenuating base
- Outlet box incl. cover grille and self-powered shut-off damper
- Flexible connectors
- Matching flange
- Equipotential bonding
- Cover grille (inlet side)
- Local isolator loose
- Insulated base plate
- Silicone-free type
- Frequency inverter (for ventilation mode only)
- Extract air and smoke extract controller

Classification, standards and guidelines

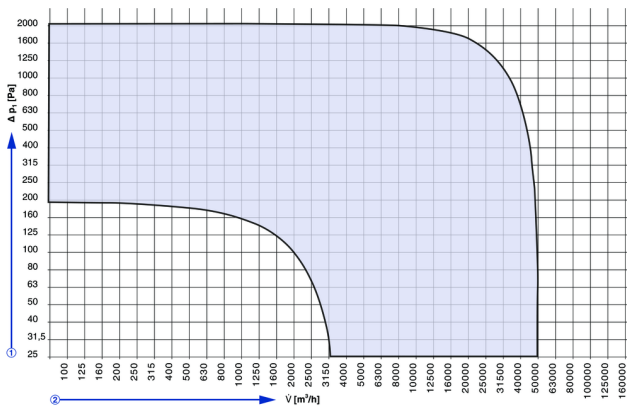
- Temperature / time classification as per EN 12101 - Part 3
- F600 CE no.: 0761-CPR-0008 with declaration of performance (DoP)
- General building inspectorate licence no. Z-78.-11-127

TECHNICAL INFORMATION

Quick sizing



BVW-D Leistungsbereich



t = 20 °C

$\rho = 1,2 \text{ kg/m}^3$

① Totaldruckerhöhung

② Volumenstrom

Dimensions and weight



Dimensions [mm]①ADEFE1ØGH③

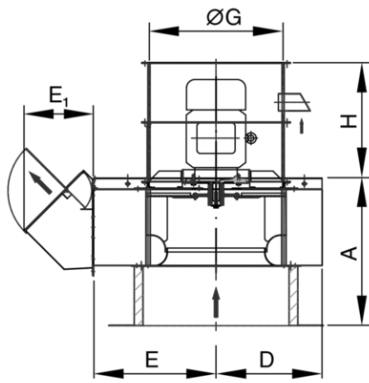
①	A	D	E	F	E1	ØG	H	③
315	295	316	415	632	200	400	375	92
355	295	356	455	712	225	400	675	125
400	325	401	500	802	255	400	375	165
500	401	501	600	1002	320	500	450	230
630	516	626	725	1252	400	500 ¹⁾ /800 ²⁾	425 ¹⁾ /680 ²⁾	385
710	566	701	800	1402	4500	500 ¹⁾ /800 ²⁾	425 ¹⁾ /680 ²⁾	475

¹⁾ Up to motor size 132

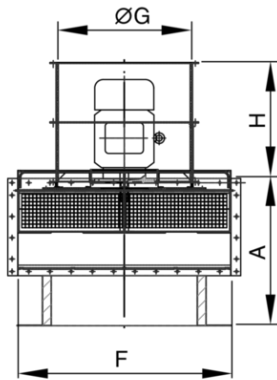
²⁾ Up to motor size 160

① Nominal size • ③ Max. weight [kg]

BVW-D



BVW-D



DETAILED DESIGN



HERE YOU'LL HAVE DIRECT ACCESS TO SELECT THE BVW VIA THE TROX X-FANS PRODUCT CONFIGURATOR

Following features are at your disposal::

- Based on your requirements of volume-flow, pressure and installation arrangement including desired accessories select the ideal fan...
- Appropriate selection according to required power, sound, nominal size, price and production period
- Options and accessories get assessed for plausibility
- All required documents (e.g. technical specification, tender specification, certificates, drawings etc.) of specific selected fan to be downloaded or send by E-Mail