

BVDAX

## BVDAX

### FOR CONVEYING SMOKE GASES OF TEMPERATURE CLASSES F200 / F300 / F400

- Casing in corrosion protection category C5M as standard
- Casing available in all RAL colours
- Thermally insulated casing
- Meets all legal framework conditions (smoke extraction, German Energy Saving Ordinance)
- Building envelope's leakage and insulation properties are not compromised
- Heat transition class T4 (as per DIN EN 1866)
- Temperature bridge class TB4 (as per DIN EN 1866)
- Certified safety (functional integrity for F400, F300 and F200)
- Weatherproof and robust (EN 12101-3, SL 1000)
- Powerful (volume flow rates exceeding 100,000 m<sup>3</sup>/h)
- Versatile (can be integrated with all TROX TLT axial fans up to F400 and NG 1120)
- Lightweight and durable, easy assembly
- Easy maintenance
- Bellmouth (integrated in the case of free inlet)

## Application



### Application

- Roof-mounted smoke exhaust fan
- Free outlet
- Free inlet or connected on the inlet side
- Dual function (ventilation and smoke extraction possible)

## Description



### Variants

- Roof-mounted smoke exhaust fan BVDAXN/-O Temp. class F200 to F400
- Flat or pitched roof type

### Accessories

- Fan diagnosis system VD
- Volume flow rate measuring unit VME

- Shock pulse bearing monitoring STI
- Flexible connectors
- Matching flange
- Equipotential bonding
- Cover grille (inlet side)
- Flow redresser
- Local isolator
- Frequency inverter
- Extract air and smoke extract controller

#### **Classification, standards and guidelines**

- Temperature / time classification as per EN 12101 – Part 3
- For the temperature classes F200 to F400 as per the axial smoke exhaust fan used
- Declaration of performance (DoP)
- Snow load class SL 1000

## **TECHNICAL INFORMATION**

Dimensions and weight



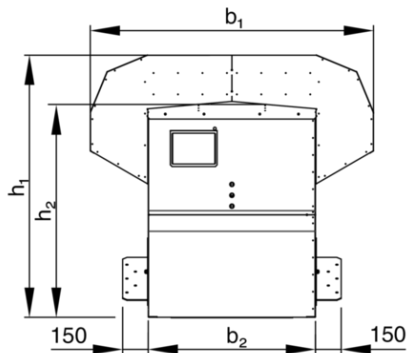
---

**Dimensions [mm]**Ⓜh1h2b1b2

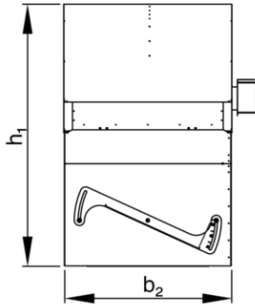
①	h1	h2	b1	b2
355	1176	947	1287	730
400	1176	947	1287	730
450	1176	947	1287	730
355	1376	1147	1287	730
400	1376	1147	1287	730
450	1376	1147	1287	730
500	1537	1258	1659	980
560	1537	1258	1659	980
630	1537	1258	1659	980
500	1818	1544	1659	980
560	1818	1544	1659	980
630	1818	1544	1659	980
710	2130	1772	2165	1300
800	2130	1772	2165	1300
900	2130	1772	2165	1300
710	2503	2145	2165	1300
800	2503	2145	2165	1300
900	2503	2145	2165	1300
1000	2675	2233	2605	1550
1120	2675	2233	2605	1550

① Nominal size

BVDAX



BVDAX



## DETAILED DESIGN



HERE YOU'LL HAVE DIRECT ACCESS TO SELECT THE BVDAX VIA THE TROX X-FANS PRODUCT CONFIGURATOR

Following features are at your disposal::

- Based on your requirements of volume-flow, pressure and installation arrangement including desired accessories select the ideal fan...
- Appropriate selection according to required power, sound, nominal size, price and production period
- Options and accessories get assessed for plausibility
- All required documents (e.g. technical specification, tender specification, certificates, drawings etc.) of specific selected fan to be downloaded or send by E-Mail