



BVD

BVD

FOR CONVEYING SMOKE GASES OF THE TEMPERATURE CLASS F400 / F600

For conveying smoke gases of temperature classes F400 and F600. Vertical outlet, with direct drive due to three-phase current IEC standard motor Encased against volume flow rate and separately ventilated through a motor cooling air system Casing made of corrosion-resistant aluminium

- 6 sizes
- More than 100 types
- Volume flow rate V max. 54,360 m³/h
- Total pressure increase p1 max. 2,300
- Powder coating possible in all RAL colours
- Corrosion protection category up to C5
- With deflector hood SL1000
- Type can be insulated for the building

Application

Application

Roof-mounted smoke exhaust fan for free outlet

Free inlet or connected on the inlet side. Dual function (ventilation and smoke extraction possible)

Description

Variants

- Roof-mounted smoke exhaust fan BVD F400 / F600
- Roof-mounted smoke exhaust fan incl. outlet silencer BVD-SDI F400 / F600

Accessories

- Fan diagnosis system VD
- Volume flow rate measuring unit VME
- Shock pulse bearing monitoring STI

- Steel roof base for smooth roofs
- Sound attenuating base
- Outlet silencer SDI
- Self-powered shut-off damper
- Self-powered shut-off damper, thermally insulated
- Insulated / thermally insulated base plate
- Flexible connectors
- Matching flange
- Equipotential bonding
- Cover grille (inlet and outlet side)
- Local isolator attached (terminal box not required)
- Tilting frame for foldable type (up to NG 500 without SDI)
- Deflector hood SL 1000
- Silicone-free type
- Frequency inverter (for ventilation mode only)
- Extract air and smoke extract controller

Classification, standards and guidelines

- Temperature / time classification as per EN 12101 – Part 3:
- F400 CE no.: 0761-CPD-0007,
- F600 CE no.: 0761-CPD-0006,
- Declaration of performance (DoP)

Life cycle assessment

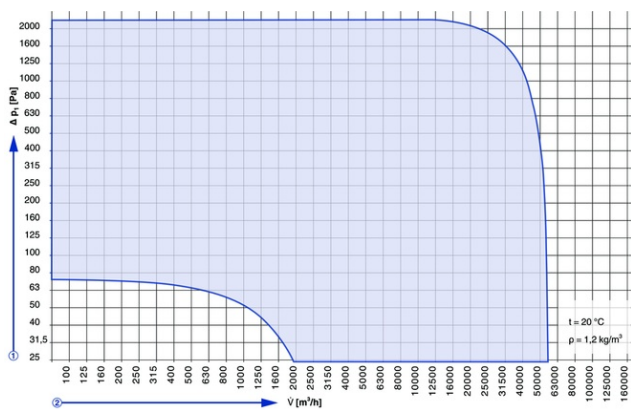
A life cycle assessment is available for the product series in form of an Environmental Product Declaration (EPD) that has been checked and published by a programme holder.

TECHNICAL INFORMATION

Quick sizing



BVD Leistungsbereich



$t = 20\text{ °C}$

$\rho = 1,2\text{ kg/m}^3$

① Totaldruckerhöhung

② Volumenstrom

Dimensions [mm]①ØD□A□H□h□A1□a□b□Ød□M*

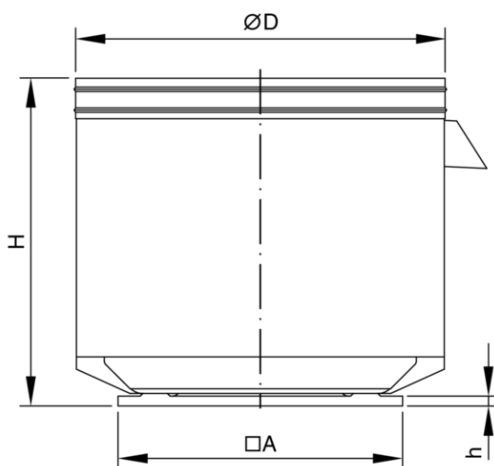
①	ØD	□A	H	h	□A1	a	b	Ød	M*
315	638	560	695 ¹⁾	40	460	110	110	14	6
355	808	710	772	40	600	143	143	14	8
400	808	710	848	40	600	143	143	14	8
500	993	1000	923	40	880	197	197	18	8
630	1272	1000	1337	40	880	197	197	18	10
630XL	1500	1000	1337	40	880	197	197	18	10
710	1272	1160	1337	40	1040	265	195	18	10
710XL	1500	1160	1337	40	1040	265	195	18	10

* Connecting flanges as per DIN 24154, Part 3. An air intake grille can be assembled directly on the base plate or on the flanges.

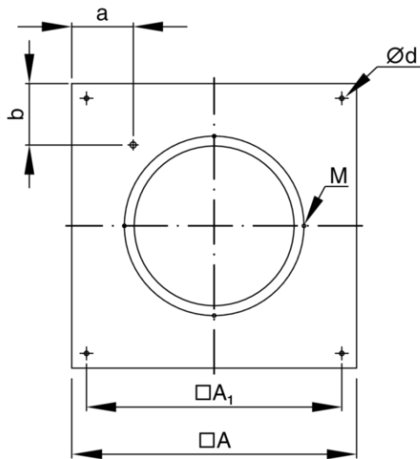
¹⁾ BVD 315/30-2=744

① Nominal size

BVD



BVD base plate



DETAILED DESIGN



HERE YOU'LL HAVE DIRECT ACCESS TO SELECT THE BVD VIA THE TROX X-FANS PRODUCT CONFIGURATOR

Following features are at your disposal::

- Based on your requirements of volume-flow, pressure and installation arrangement including desired accessories select the ideal fan...
- Appropriate selection according to required power, sound, nominal size, price and production period
- Options and accessories get assessed for plausibility
- All required documents (e.g. technical specification, tender specification, certificates, drawings etc.) of specific selected fan to be downloaded or send by E-Mail