



ZAXN 12/56

ZAXN 6_9_12 / 56

AXIAL FANS WITH DIRECT DRIVE FOR BUILDING VENTILATION AND AERATION

Based on two fans connected in series, suitable for underground car park extract air (66% redundancy in emergency mode)

- Suitable in horizontal and vertical style.
- The desired operating point is achieved with the best efficiency due to the optional number of blades (6 / 9 / 12).
- Optimised outlet guide vanes for increasing the pressure coefficients, so low-noise operation due to low circumferential speed
- Extensive adjustments to the relevant operating point and subsequent motor rating corrections can be made by steplessly adjusting the impeller blades without any need to disassemble the impeller
- The total pressure increase is double that of single fans.
- Casing available in all RAL colours
- 15 sizes
- Impeller's nominal diameter 315 to 1,600 mm
- Volume flow rate 400,000 m³/h max.
- Total pressure increase max. 4,500 Pa

Application



Application

- Supply or exhaust air as round duct fan
- Free inlet or connected to the pipeline on the inlet side
- Free outlet or connected to the pipeline on the outlet side

Description



Accessories

- Volume flow rate measuring unit VME
- Shock pulse bearing monitoring STI
- Thermal motor protection
- Acoustic insulation
- Weather protection roof for acoustic insulation
- Round silencers TSR (inlet and outlet side)
- Round silencers TSR with interior core (inlet and outlet side)

- Extension duct
- Inspection hatch
- Self-powered shut-off damper
- Flexible connectors
- Matching flange
- Equipotential bonding
- Bellmouth
- Cover grille (inlet and outlet side)
- Diffuser
- Diffuser with interior core
- Outlet duct with cover grille
- Mounting feet (for horizontal assembly)
- Brackets (for vertical assembly)
- Spring anti-vibration mounts
- Rubber anti-vibration mounts
- Local isolator attached (terminal box not required)
- Angular wall ring with brackets (inlet and outlet side)
- Flow redresser
- Silicone-free type
- Surface protection powder-coated and/or hot-dip galvanised in corrosion protection category C2 to C5M

TECHNICAL INFORMATION

Dimensions and weight



Principal dimensions

①	Ø clear width	Øk	ØD	zxd	H	a	a ₁	c	b	b ₁	b ₂	② w x l
315	320	356	386	8 x 9.5	240	328	302	35	356	68	80	12 x 20
355	359	395	425	8 x 9.5	270	356	330	35	398	88	80	12 x 20
400	401	438	468	12 x 9.5	300	406	379	37	438	104	80	12 x 20
450	450	487	517	12 x 9.5	335	430	400	37	487	124	80	12 x 20
500	504	541	571	12 x 9.5	375	480	453	37	541	151	80	12 x 20
560	565	605	643	16 x 11.5	420	519	483	45	605	183	80	12 x 20
630	634	674	712	16 x 11.5	470	607	575	45	674	203	100	12 x 20
710	711	751	789	16 x 11.5	525	645	613	45	721	210	110	12 x 20
800	794	837	875	24 x 11.5	585	735	703	45	872	285	110	14 x 22
900	894	934	972	24 x 11.5	655	785	753	45	860	225	160	14 x 22
100	1003	1043	1081	24 x 11.5	730	881	833	57	940	265	160	14 x 22
1120	1124	1174	1214	24 x 11.5	760	951	903	57	1184	380	160	14 x 22
1250	1261	1311	1251	24 x 11.5	855	1051	1003	57	1321	465	160	14 x 22
1400	1415	1465	1545	24 x 11.5	⊗	⊗	⊗	⊗	1475	520	165	14 x 22
1600	1587	1637	1717	32 x 11.5	⊗	⊗	⊗	⊗	1649	615	160	18 x 25

① Nominal size •

② Slotted hole width x length •

⊗ Upon request

Dimensions dependent on the number of extensions

①	②	L	④	②	L ₁ ¹⁾	y	④	②	L ₂ ¹⁾	④
315	71	600	20	80	750	12	25	80	900	29
355	80	660	25	90	825	8	30	90	990	35
400	90	752	36	112	940	54	43	112	1128	51
450	90	800	43	112	1000	34	52	112	1200	62
500	112	900	56	132	1125	81	68	132	1350	80
560	112	968	82	132	1210	64	99	132	1452	117
630	132	1144	150	-	-	-	-	-	-	-
710	132	1220	130	160	1525	112	152	160	1830	174
800	132	1400	164	180	1750	104	198	180	2100	232
900	132	1492	220	225	1865	78	264	225	2238	309
100	160	1660	274	225	2075	113	329	225	2490	383
1120	180	1800	380	280	2250	180	425	280	2700	470
1250	200	2000	450	280	2500	115	500	280	3000	550
1400	180	⊗	⊗	⊗	⊗	⊗	⊗	⊗	⊗	⊗
1600	225	⊗	⊗	⊗	⊗	⊗	⊗	⊗	⊗	⊗

¹⁾ Additional empty ducts are required here, so the a + a1 dimensions change

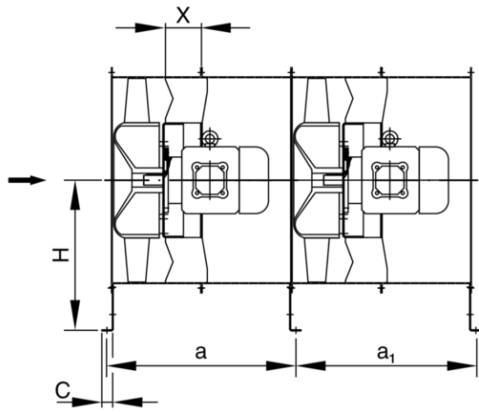
① Nominal size •

② Max. motor size •

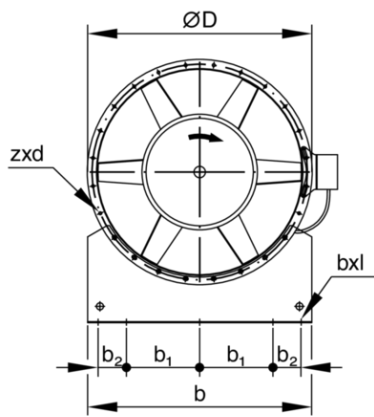
④ Weight without motors •

⊗ Upon request

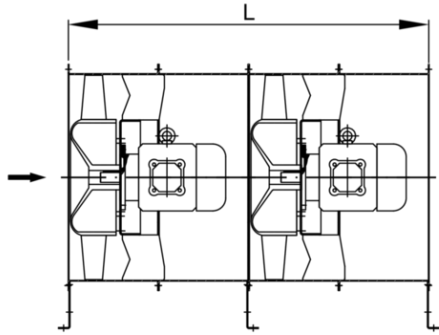
ZAXN12/56



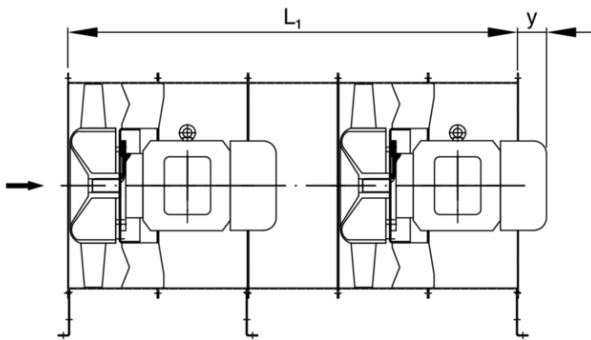
ZAXN12/56



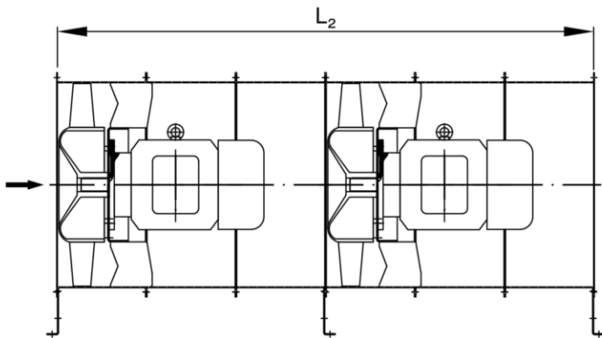
ZAXN12/56



ZAXN12/56



ZAXN12/56



DETAILED DESIGN



HERE YOU'LL HAVE DIRECT ACCESS TO SELECT THE ZAXN VIA THE TROX X-FANS PRODUCT CONFIGURATOR

Following features are at your disposal::

- Based on your requirements of volume-flow, pressure and installation arrangement including desired accessories select the ideal fan...
- Appropriate selection according to required power, sound, nominal size, price and production period
- Options and accessories get assessed for plausibility
- All required documents (e.g. technical specification, tender specification, certificates, drawings etc.) of specific selected fan to be downloaded or send by E-Mail